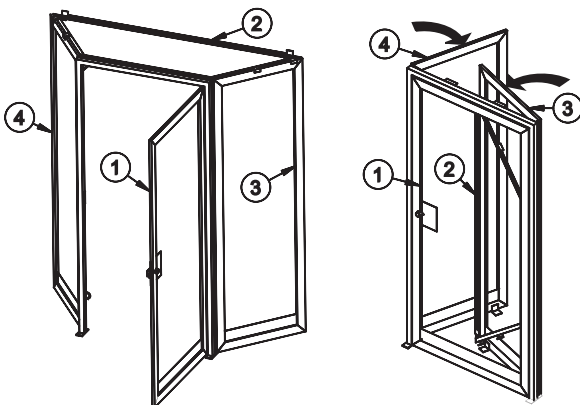


Liftwell Screens Information

Transporting, Handling and Storing Aztex Liftwell Enclosures

1. Transport, store and move in collapsed state at all times.
2. Use correct lifting and carrying techniques at all times.
3. Collapse and fold enclosure components as numbered. See diagram (a).
4. Secure in collapsed state with a wire tie.

Diagram (a).



Liftwell Enclosure Inspection and Maintenance

Inspect the enclosure at the commencement of each shift:

- Check the lock is operational.
- Check the enclosure is securely fixed.
- Check all component parts are in place.
- Check the door opens and closes correctly.
- Check the enclosure is free of damage and fully functional.

Follow site safety and hazard reporting procedures where deficiencies are identified.

Liftwell enclosures should be routinely inspected:

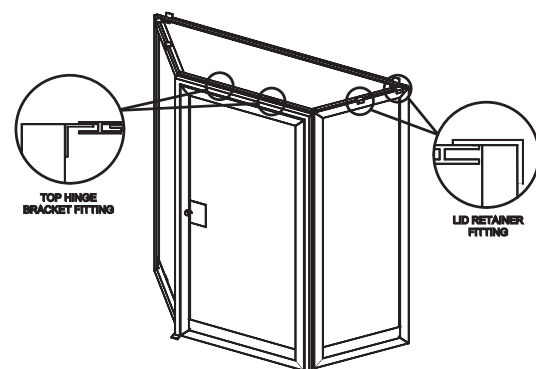
- prior to installation
- following transport, movement or handling
- following incident.

Note: Liftwell enclosures sustaining significant impact or damage should be returned to the manufacturer for assessment, repair or decommissioning and disposal where relevant.

Installing Aztex Liftwell Enclosures

1. Open out the enclosure.
2. Slide the lid into position ensuring the lid interlocks with the supporting frame. See diagram (b).
3. Position the enclosure over the liftwell opening.
4. Check the enclosure is square and securely fix enclosure to the supporting structure.

Diagram (b).



General Safety - Instructions for Use

1. Only authorised personnel should be issued with a key to a liftwell enclosure.
2. Access to liftwell enclosures should be by key entry only.
3. Ensure the door is closed after entering or leaving the liftwell enclosure. DO NOT chock or leave doors open at any time.
4. DO NOT modify, tamper with or use enclosure for any purpose other than the guarding of liftwell openings.
5. Wherever possible use materials handling equipment to move liftwell enclosure. Where enclosures must be manually handled – use 2 person lifting techniques.

This liftwell enclosure is for the specific purpose of safe guarding persons working in or around liftwell openings and should not be used for any other purpose or application. Aztex liftwell enclosures comply with AS/NZS 4431.