

aztex Liftwell Screens

*Protect personnel
on site and meet your
OH&S requirements*

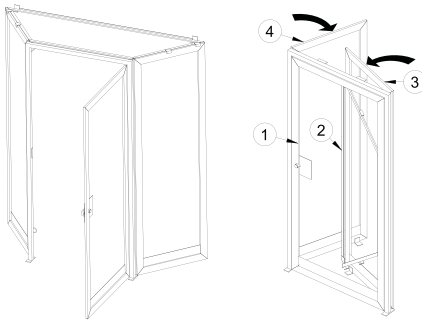
- > **Lightweight for ease of handling and transport**
- > **Meets required safety standards**
- > **Built tough to take the knocks on site**
- > **Available for sale or hire**



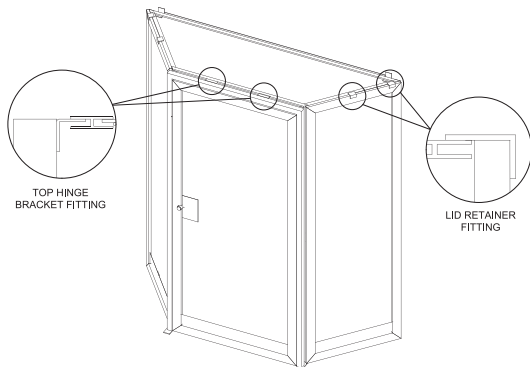
Aztex Liftwell Screens give you peace-of-mind on site. They weigh only 40 kg—over 40% lighter than conventional steel screens, while being structurally strong and robust.

These robust units cover openings 2.3 m x 2.1 m (h x w), just like conventional screens. They fold and stack flat like conventional screens. They comply with Australian Standards and the National Standard for Plant, with comprehensive OH&S information on the front of the door, unlike conventional screens which do not have this.

Built for tough Aussie conditions, Aztex liftwell enclosures feature a fully rivetted aluminium screen frame, with no sharp mesh edges, to avoid injuries. The doorframe is made of steel and is very strong. Unlike conventional screens, the door opens fully to 180°, for better access.



Aztex Liftwell Enclosures are easy to collapse for transport and



The lid slides into position and interlocks with the supporting frame for better security.

All screens are keyed-alike for convenience at the site. The lock is well-guarded and the hinges are located behind the impact area for greater protection of the unit. An interlocking lid helps secure the liftwell entrance from unauthorised access.

The locking striking plate is extended to allow for out-of-square installation. This save you a lot of hassle on site.

These robust, long lasting units are available for sale or hire. They're available at very competitive rates. Ring us for a FREE quote.



All necessary OH&S information are highly visible and are located on the front of the door.

Aztex Equipment Pty Ltd
59 Powers Road Seven Hills NSW 2147
Tel 02 9674 8311 Fax 02 9674 5477
sales@aztex.com.au www.aztex.com.au

aztex
equipment
pty ltd